

tecnis

3100



Tecnomat 

tecnis

The latest product released from the Epernay plant, Tecnis is again the best demonstration of Tecnomat's ability to bring to the market innovative solutions.

Tecnis embraces the latest technology to create a simple, user-friendly spraying system with slim design, high efficiency and minimum impact on the environment.

Its 3100 litre tank capacity can be fitted with steel or aluminum booms. The design combines ease of operation with optimum spraying quality.

Compact, Tecnis focused on a low centre of gravity in the design brief creating a low profile sprayer with

excellent stability on hills and steep ground .

All components are totally integrated and protected enabling easy maintenance of the machine.

Tecnis offers the choice of a wide range of on-board equipment : AXAIR, O'CLEAR, VOLUTIS and AUTONET as well as PRECISION AGRICULTURE with ISOBUS for guidance, automatic boom section controls, on-the-go dosage modulation or data transfer.

All spraying functions are easily controlled by means of simple multi-function controls located on the left hand side of the sprayer. Each function can be easily identified through a series of user-friendly graphics.



tecnis

3100

CHASSIS

It is designed to endure the most difficult conditions and to resist the corrosive environment. Made from high tensile steel, the chassis has a simple structure for easy maintenance and a long lifetime.

- Double UPN profile welded chassis with excellent protection : degreased, shotblasted, epoxy primer and oven baked powder coating.
- Straight drawbar with height adjustment (3 positions) to ensure the sprayer is always in the best position to completely empty the tank regardless of the tyre size used.
- Wide choice of drawbars*: articulated with automatic reset, high hitch, available with either a ring or ball hitch, SOFTEC sprung drawbar to improve driving comfort on the road or on rough terrains.
- Rugged mechanical jack with manual adjustment. Special location at the rear of the sprayer enables safe storage, away from the drawbar, to keep good chassis clearance and minimize crop damage.
- Wide tank platform with integrated access ladder for maximum safety and comfort.

* optional

AXLE

The axle fitted on TECNIS consists of two half axles, manually telescopic to precisely and safely set the track of the machine to whatever crop spacing is required.

- 9.5 R 48 tyres are standard but a wide choice of tyre options are available. *
- Mud guards for narrow and wide tyres.*
- SOFTEC sprung axle.*
- AXAIR active suspension* : operator comfort.

Outstanding active suspension - efficient during spraying as well as on the road. The machine is completely relieved from all mechanical stress and shocks generated by rough terrain or high transport speeds. Chassis and booms are more enduring and lifetime is increased.

An air trigger is available near the operating area of the machine whenever the AXAIR is fitted.

* optional

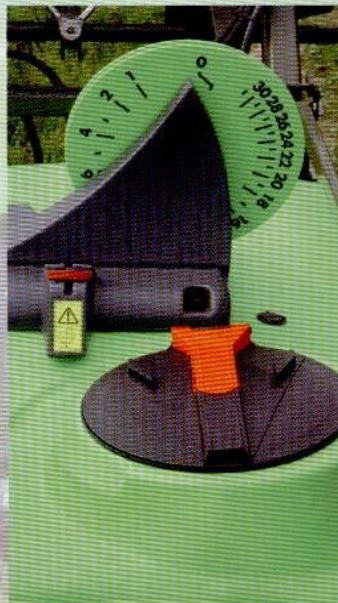


Chassis

TANK

The tank is made by TECNOMA from roto-moulded high density polyethylene.

- The main tank has a capacity of 3100 litres and is equipped with a new module integrating the tank drain as well as the central drum gauge. The latter is equipped with a dampened spring to stabilize the gauge whenever the liquid in the tank is moving.
- The tank drain handle is mounted in the drum gauge module for better ergonomics.
- The tank is designed to offer the lowest centre of gravity for improved machine stability.
- An integral cross-member (tunnel) strengthens the tank structure without having to use any inside or outside metal reinforcements. The tunnel also works as a baffle to reduce liquid movements and improve machine stability.
- Optimum agitation : the Tecnis tank is equipped with three "hydro-injectors" for a thorough mixing of all chemicals and fertilizers.
- High capacity rinse tank : 420 litres for efficient rinsing of the booms, spraying circuit and tank.
- Three rotating tank wash nozzles (LAVTON) ensure optimum rinsing of the main tank and contribute to a severe reduction of the risk of chemical contamination.
- 22 litre hand wash tank is integrated in the left hand side panel.



dry drum tank gauge + tank lid



"AXAIR" Suspension

OPERATION

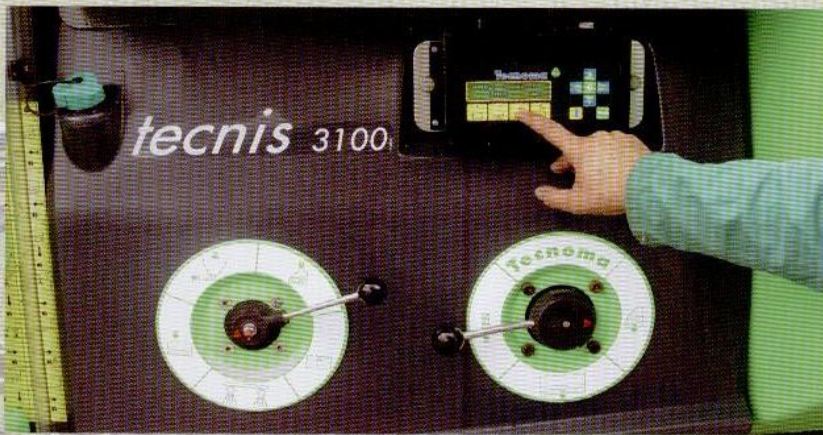
Operating the sprayer is safely and easily achieved with maximum respect for the environment and total compliance with all regulations.

Using the Tecnis valves are simple and fast :

- All filling functions, chemical induction, agitation, spraying and rinsing are controlled by means of TWO MULTI-WAY VALVES: one on the suction side and the other on the delivery side. This spraying circuit architecture offers outstanding ergonomics and simplicity of use.
- Clear graphics indicate each sprayer function and where each valve should be positioned.
- Large choice of functions.



chemical induction



multi way valves + controls

SAFE SPRAYER FILLING

Regardless of how the sprayer is filled, Tecnomax has two innovative solutions :

- Filling the sprayer from the top: O'CLEAR
- Filling the sprayer using the pump and suction circuit: VOLUTIS

O'CLEAR is a specific suction circuit which enables the sprayer to be filled from the top via the rinsing tank lid. If an eventual overflow occurs there is no risk of contamination as there is no chemical in the rinsing tank

VOLUTIS allows the operator to safely and precisely fill the main tank using the suction circuit of the pump. An automatic programmable filling valve will stop the filling procedure once the desired volume of water is reached or if the volume of liquid in the main tank reaches the maximum capacity.

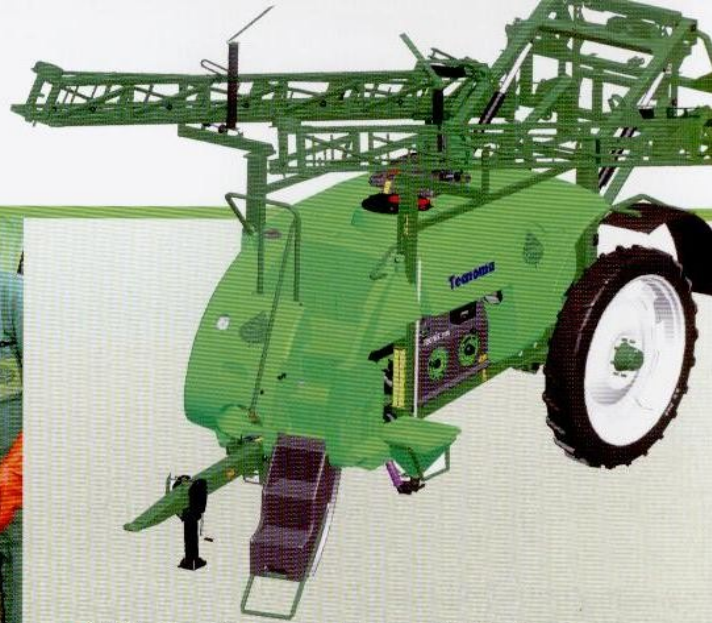
SPRAYING WASTES MANAGEMENT

Tecnis can be fitted with AUTONET sequential dilution system which enables a quick and simple disposal of all chemical residues left in the sprayer tank after spraying. AUTONET is activated from the tractor cab from the sprayer console.

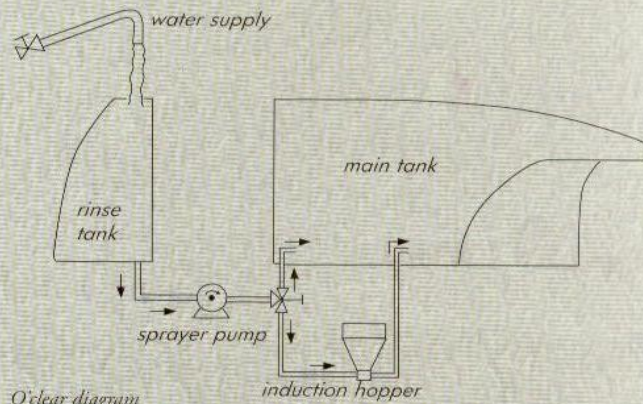
SPRAYING WASHING

The sprayer can be easily washed out in the field thanks to the optional hose reel and pressure lance.

The spraying circuit of the Tecnis is designed in such a way that the spraying solution, by-passed by the flow regulating valve, is routed straight into the pump suction. Consequently there are no returns of spraying solution in the tank.



- 20 litre induction chemical hopper with flushing hose. Can wash is integrated in a double hopper that folds away whenever chemical is poured into the main induction bowl. The hoppers are mounted on a parallelogram for easy operation. The whole system is protected in a compartment sealed by a panel fitted on hinges. An air trigger is available to clean nozzles if required.
- Compartment can be equipped with a working light for night spraying.
- Panel located behind the two rotating multi-way valves holds 22 litres of fresh water for hand wash.



O'clear diagram

EASY MAINTENANCE

The entire front platform and rinse tank assembly folds forward to enable access to the pump and main sprayer components for easy maintenance.

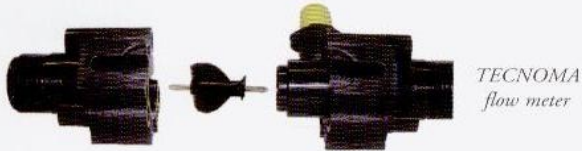
Easy maintenance



SPRAYER REGULATION

A wide choice of rate governors!

Volumetric sprayer regulations are using a state of the art flow meter providing extreme accuracy and well proven reliability. The volumetric regulations do not require any calibration regardless of the spraying solution viscosity or density.



A large pressure gauge is fitted to the front of the sprayer and is fed via a permanent circulation circuit to avoid blockages and ease rinsing.

NOVATEC, NOVATEC ISOBUS, NOVATOP

A user-friendly menu guides the operator through the system: boom folding out/in procedures have never been so easy via only two buttons - ease and comfort of operation at its best with Tecnomat.

In-cab information display :

- Spraying screen : volume/ha, forward speed, instant flow, distance travelled, on-the-go dosage adjustment by increments of 10%. Complementary information displayed: spraying autonomy in hectares, distance autonomy in metres, area covered per hour.
- Secondary screens : plot management to monitor up to 20 different plots, sprayer filling, AUTONET*, manual spraying mode, system set up (volume/ha set up), boom folding in/out menus.



For NOVATEC, NOVATEC ISOBUS and NOVATOP the controller regulates the flow according to the forward speed, even in the headlands when the boom is not spraying.

MULTI ERGO JOYSTICK :

Standard feature on all NOVA consoles, the MULTI ergo joystick enables easy control of most sprayer functions from the fingertip :

- Boom folding out and in.
- Main boom spraying on/off, sequential control of each section, localized boom section control, on-the-go dosage adjustment.
- Boom hydraulic functions: height adjustment, slope correction, variable geometry, steering and tracking axle.

* optional

TECTRONIC: a simple and easy to use rate governor

Available with SC (Selector Circuit or pre-select hydraulics) or with ED (Electro Hydraulics).

Easy operation :

- When spraying, LCD displays forward speed and volume per hectare sprayed. It also displays on demand the volume sprayed (total and partial) as well as the area sprayed (total and partial).
- On-the-go dosage adjustment by increments of 10%
- Manual sprayer regulation

Individual boom section switches with LED displays.



TECTRONIC (ED version)

DIFFERENTIATING SPECIFICATIONS

NOVATEC : CANBUS regulation for precise and complete information.

NOVATEC ISOBUS : complies with ISO 11783 that defines a common language for communication compatibility, enabling easy connections between tractor and machines.

Ergonomics are also improved with a scroll button for easier navigation through the various menus

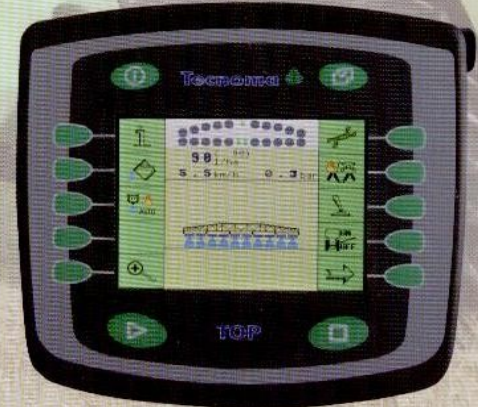
NOVATOP : ISOBUS controller complies also with ISO 11783. Includes scroll button and a color screen display as well as a USB port for easy up and downloading of plot management information.

GET ACCESS TO PRECISION AGRICULTURE WITH NOVATOP FROM TECNOMA :

- Guidance system with integrated light bar* (requires DGPS receiver).
- DGPS receiver* (+/- 30cm accuracy).
- External light bar* with a vacuum cradle for easier guidance reading (control box light bar is still active when external light bar is connected).
- Automatic boom section control : boom sections are automatically turned on/off by the DGPS system (requires DGPS receiver plus guidance program).



MULTI ergo joystick



NOVATOP

PUMP, FILTRATION, AGITATION, FLUID DISTRIBUTION

- PM 500 piston diaphragm pump, 250 l/mn at 15 bars, easily accessible by tilting the rinse tank forward, located in line with the drawbar to reduce PTO shaft fatigue. Volumetric pump ensures stable flow. Special diaphragms reduce maintenance costs.
- Suction filter with non-return valve.
- Hydraulic adjustable agitation by means of high capacity hydro-injectors.
- Distribution of fluids by means of TECNOMA solenoid valves controlled from MULTI joystick (NOVA range) or individual switches.
- Standard integrated hydraulic pump with all ED versions (Electro Hydraulic remote functions). Bolted to the back of the PM500 pump, a gearbox drives a hydraulic pump that supplies pressure to the circuit. The hydraulic tank is located at the rear of the sprayer.

BOOMS

All steel booms are benefiting from a high quality corrosion protection application process :

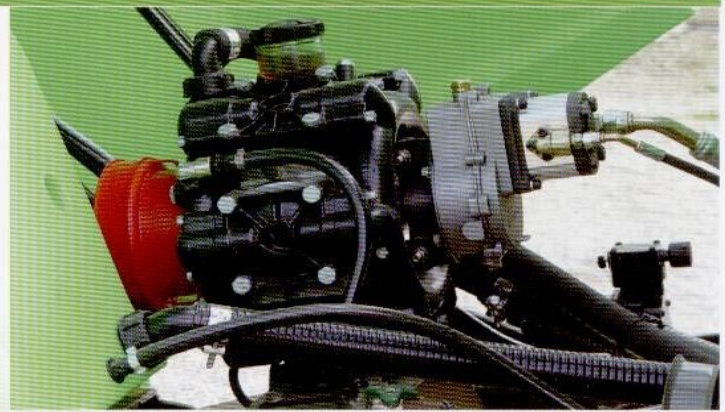
- Degreasing,
- Shot blasting to remove all possible corrosion by abrasion,
- Application of an epoxy primer with two compounds for corrosion resistance,
- Polyester powder coating oven baked for excellent mechanical and UV protection,

Tecnis booms are equipped with dampeners for :

- High spraying speed
- Improved components longevity
- Spraying quality
- All field conditions adaptability
- Wide spraying range

Optional attachments :

- Lighting pack includes light for the operating area plus a beacon support and two boom beams for night spraying
- Foam marker with integrated controls in the sprayer console
- Boom end nozzles with integrated switches in the sprayer console



PM500 pump + self contained hydraulics

Multi stage filtration for spraying quality :

- 500 microns tank lid strainer,
- 500 microns main suction filter with non-return valve to easily clean the filter element even when tank is full,
- Super filtration with two pressure filters located on the boom,

Pressure gauge is located to the front of the machine in a purposely built recess in the rinse tank so that it can be easily read from the tractor cab.

- Parallelogram and Albatross suspension
- Stainless steel spray lines equipped with PENTAJET diaphragm check valves equipped with four nozzles from the NOZAL range; Semi-continuous or permanent boom circulation with AGP pneumatic diaphragm check valve are available as an option.
- Rotoflex couplings avoid hoses being damaged in boom hinges.
- Boom hinges equipped with bushes, grease nipples and dust gaskets.
- Smooth boom folding in/out thanks to the self compensated hydraulic restrictors fitted to the hydraulic cylinders on ED versions.
- Boom hydraulic functions are easily controlled from the fingertips with MULTI ergonomic joystick.
- Compliance with all road regulations, 2.55m transport width

24m and 28m steel booms :

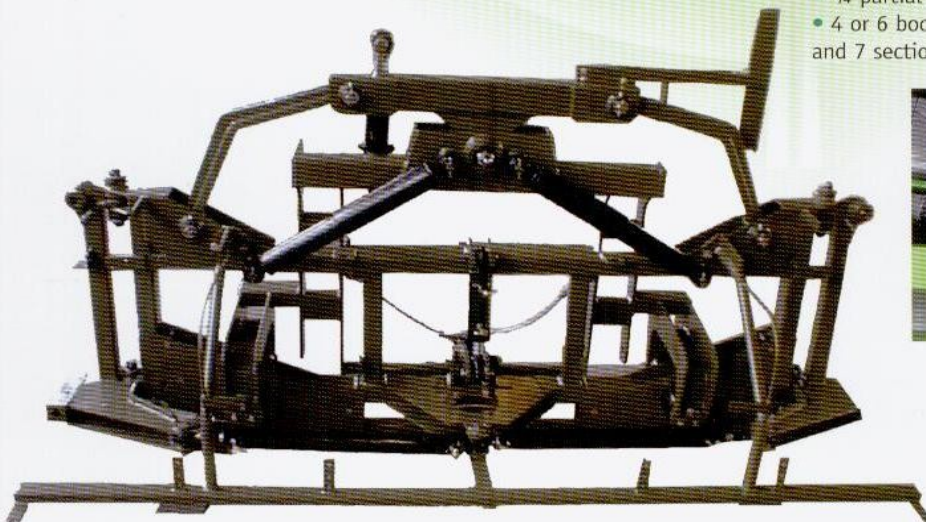
HLE 24/12 and 28/14

- Three dimensional trellis structure
- Light and robust design, 12m and 14m dual width
- Standard slope correction
- Variable geometry*
- ¾ partial fold.
- 4 or 6 boom sections on 24m HLE and 7 section on 28m HLE.

28m aluminium booms :

- Slope correction
- Variable geometry
- ¾ partial fold
- 7 boom sections

* optional



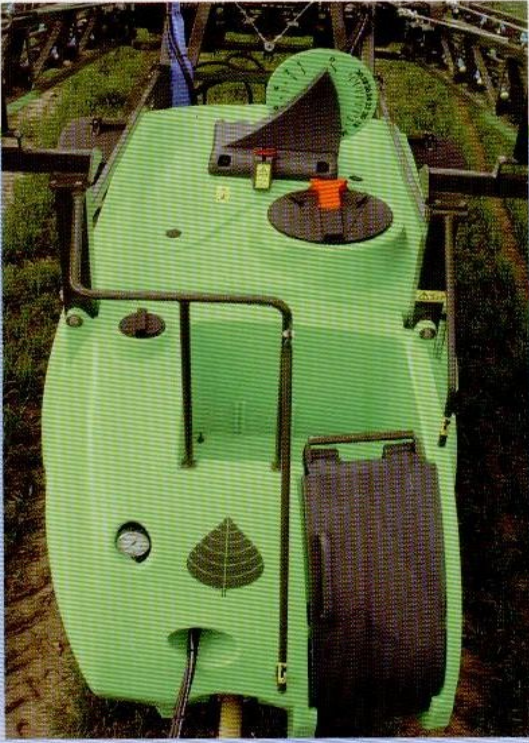
HLE boom main frame + "albatross" suspension



PENTAJET



ROTOFLEX swiveling couplings



on the road



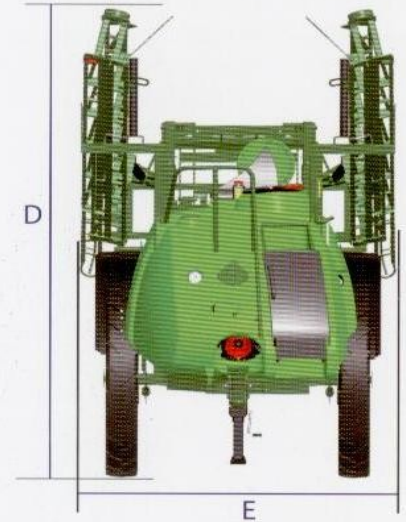
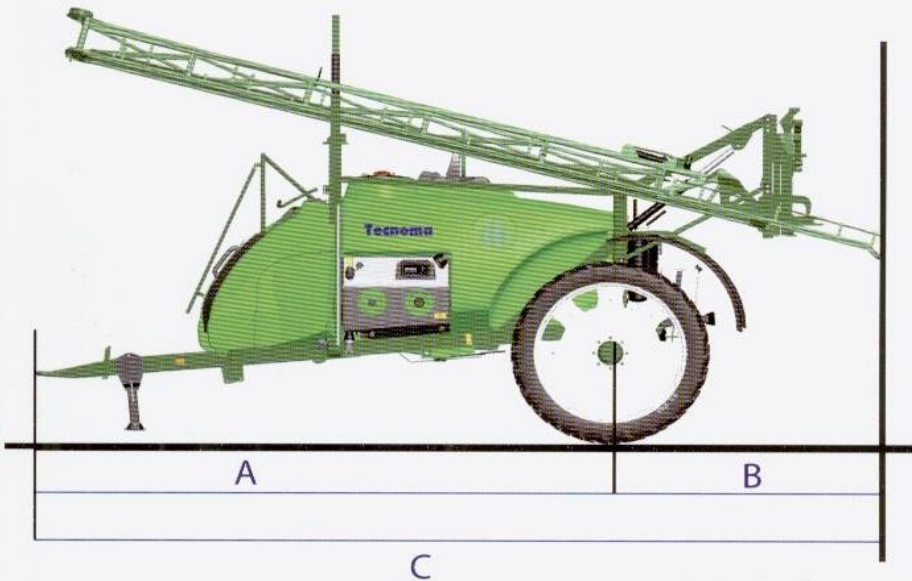
in the field



operating area

OPTIONS

- SOFTEC axle dampener
- AXAIR axle dynamic air suspension
- SOFTEC drawbar dampener
- Operating zone lighting pack, beacon support and boom working lights
- Narrow or large mudguards
- Semi-continuous or fully continuous boom circulation
- Variable geometry for 24m and 28m HLE (except on SC versions; standard on 28m ALU boom).
- ¾ partial fold (available on certain versions).
- Manual 27m/28m fold
- 0.5m boom extensions
- Foam marker
- Boom end nozzles
- CAMLOCK couplings
- 400 l/min fast fill
- Integrated 2" VOLUTOP filling flow meter with readout (includes 400 L/min fast fill)
- VOLUTIS programmable filling system (includes 400 L/min fast fill).
- Articulated drawbar (ED only – with automatic reset).
- Drawbar with adjustable ring
- Drawbar with adjustable swiveling ring
- Drawbar with adjustable ball hitch
- AUTONET
- 25m hose reel and pressure lance



Dimensions

In mm	A	B	C	D	E
<i>tecnis 3100 HLE</i>	4640	2380	7020	3520	2550

Weight

In kgs	24 m	28 m
<i>tecnis 3100 HLE</i>	3000	3035
<i>tecnis 3100 ALU</i>		2945

Tyres

- 13,6R38
- 12,4R46
- 11,2R48
- 11,2R54
- 16,9R38
- 18,4R38
- 12,4R52
- 13,6R48
- 20,8R38
- 16,9R38

SERVICE

Tecnoma Service and Support:

A wide network of qualified dealers



Tecnoma

S.A.S. - Capital 1 174 400 euros - R.C.S. EPERNAY B 350 484 309
 54, rue Marcel Paul - F-51206 EPERNAY CEDEX
 Tél. : 33 (0)3 26 51 99 99 - Fax 33 (0)3 26 51 83 51
 Site : www.tecnoma.com - E-mail : tecnoma@tecnoma.com

Distributor **AGROMIX** ROJECZYŃ

PRZEDSIĘBIORSTWO USŁUGOWO-PRODUKCYJNE AGROMIX Sp. z o.o.
 Rojeczyn 36, PL 64-130 Rydzyna, tel./fax 0 65 538 82 76,
 tel. 0 65 538 81 67, 0 65 538 81 81, www.agromix.agro.pl